

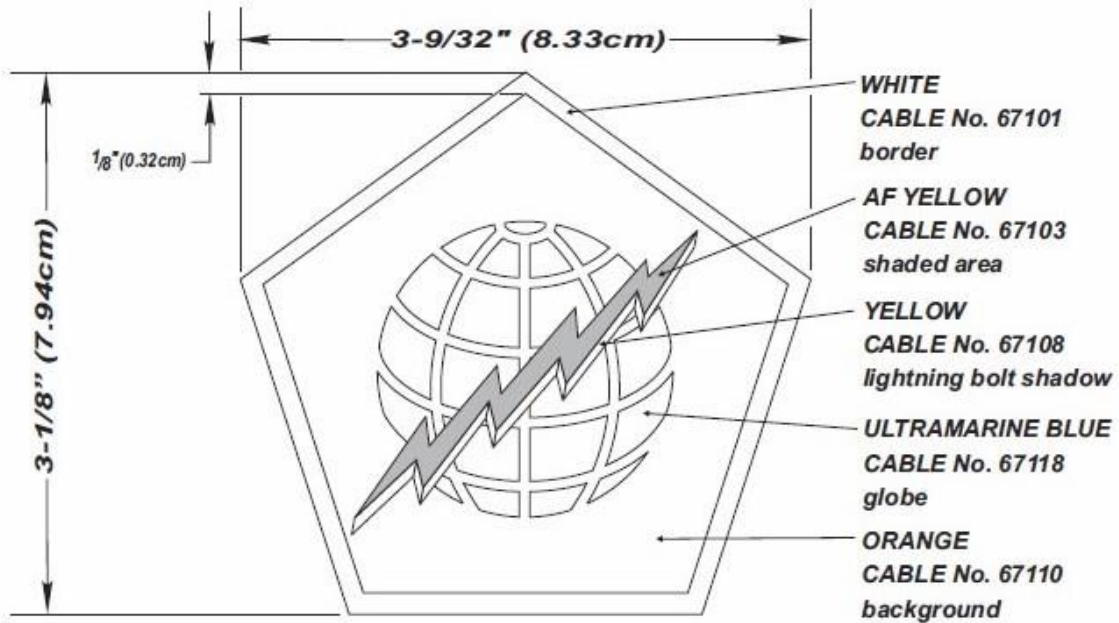
**FOR SUBDUED INSIGNIA**

ACU:

ORANGE AREAS TO BE FOLIAGE GREEN  
67202. WHITE, BLUE & YELLOW AREAS  
TO BE BLACK 67138. AF YELLOW AREAS  
TO BE BROWN 67136.

**REVISIONS**

| LTR | DESCRIPTION         | DATE        | APPROVED  |
|-----|---------------------|-------------|---|
| B   | STITCH COUNT ADDED. | 13 SEP 2011 | pm SAO TLC<br><i>Charles V. Mugno</i><br>CHARLES V. MUGNO<br>DIRECTOR |



**DESIGNED FOR OVEREDGE STITCHING**

**STITCH COUNT**

6642 STITCHES (minimum)  
100/2 DENIER  
16/4 SPAN

UNLESS OTHERWISE SPECIFIED DIMENSIONS ARE IN INCHES TOLERANCES ON FRACTIONS DECIMALS ANGLES

MATERIALS:  
TO BE MANUFACTURED IN ACCORDANCE WITH MIL-DTL-14652

|          |     |     |
|----------|-----|-----|
| EXAMINED | TLC |     |
| CHECKED  | pm  | SAO |
| PREPARED | SNP |     |

APPROVED  
*Charles V. Mugno*  
CHARLES V. MUGNO  
DIRECTOR

THE INSTITUTE OF HERALDRY, DEPARTMENT OF THE ARMY  
9325 GUNSTON RD, RM S-113 FORT BELVOIR, VA 22060-5579

**SHOULDER SLEEVE INSIGNIA**

505TH SIGNAL BRIGADE

SIZE CONTROL IDENT. NO  
**A 22571**

**A - 1 - 1048**

SCALE FULL DATE **23 MARCH 2011**